

Mounting Instructions For Use With Removable Motor Kit:

The Anzi Ceiling hood has the option to allow you to install the motor separately away from the hood, the motor can be placed into a loft space or ceiling void at a maximum of 6m away. We highly recommend using 6" ducting (6" round ducting - 220x90 rectangular equivalent)

Please note that the motor on this unit is an internal motor and cannot be used outside. It must be in a dry space away from moisture.

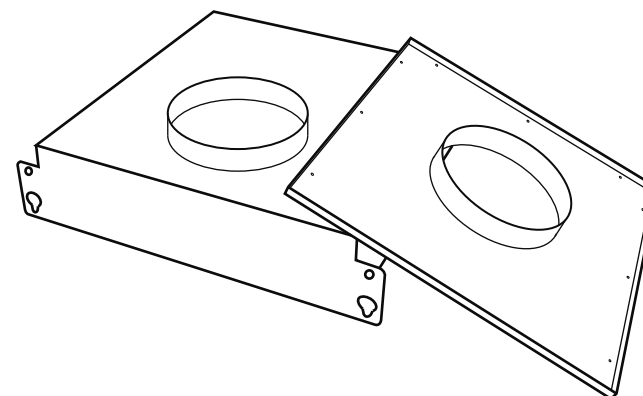
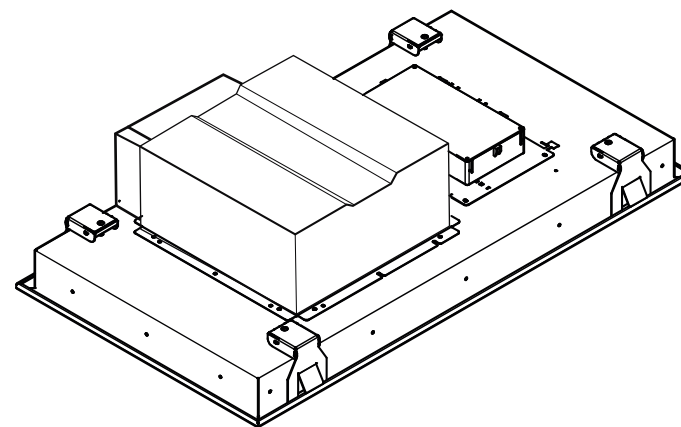
The Motor is supplied with your ceiling hood, this kit is for the following equipment:

- 1x Mounting Plate
- 1x Blanking Plate
- 1x 5m Extra Cable

Please check your ducting with your installer as you might not need to use any ducting adapters. They are in the kit to make it easier for you to connect ducting to the mounting and ducting plates

Installation:

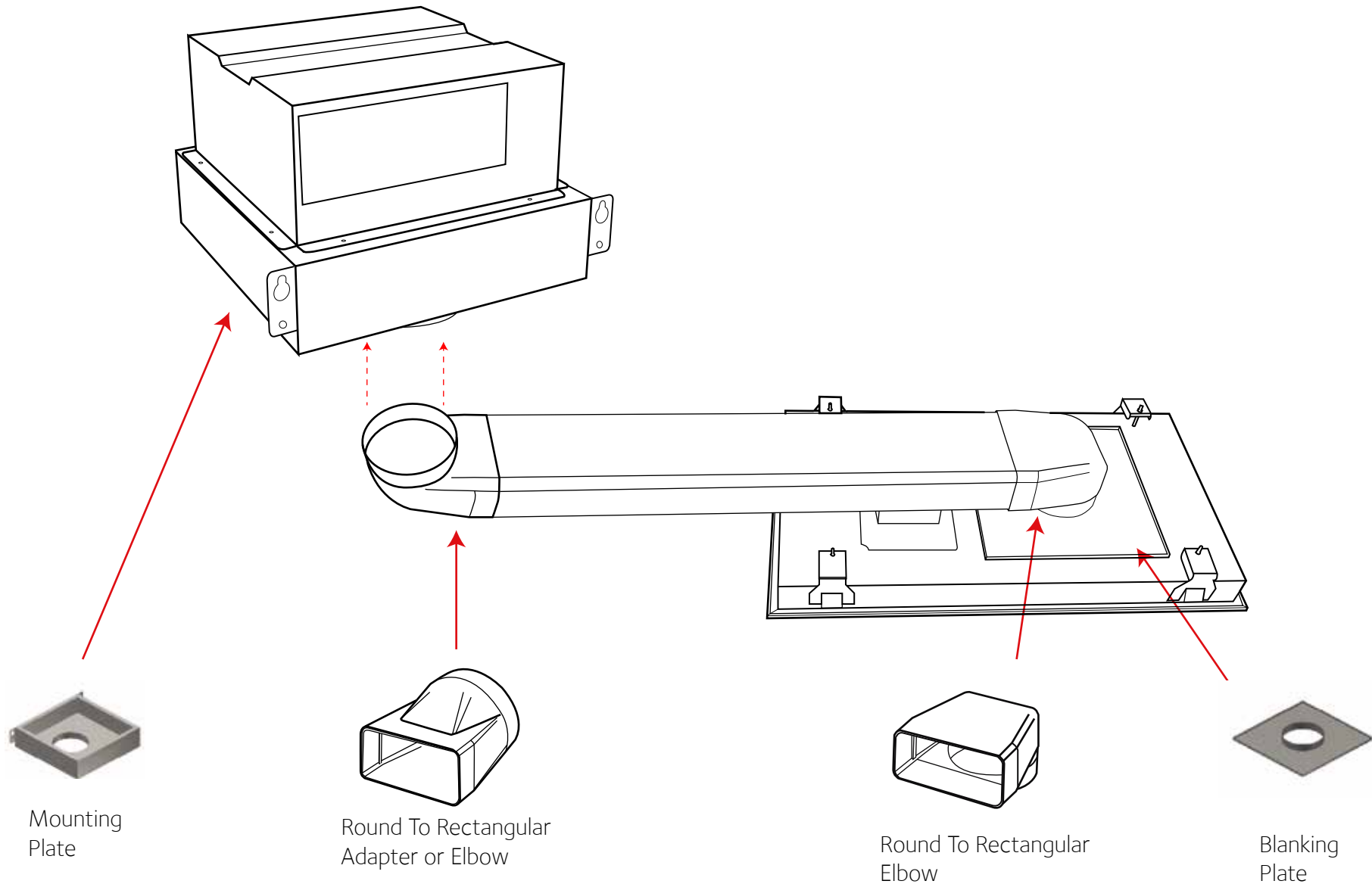
- Remove the motor from the hood
- Locate where the motor will need to be secured
- Attach the motor to the removable motor box and secure in position
- Attach the blanking plate in place where the motor was located on the hood
- Run ducting from underneath the motor box to where the hood is located
- Run ducting from the motor to the outside vent
- Install the hood and connect the ducting you have already installed





LUXAIR™
EXTRACTION WITH ATTRACTION

Components



Mounting Plate

Round To Rectangular Adapter or Elbow

Round To Rectangular Elbow

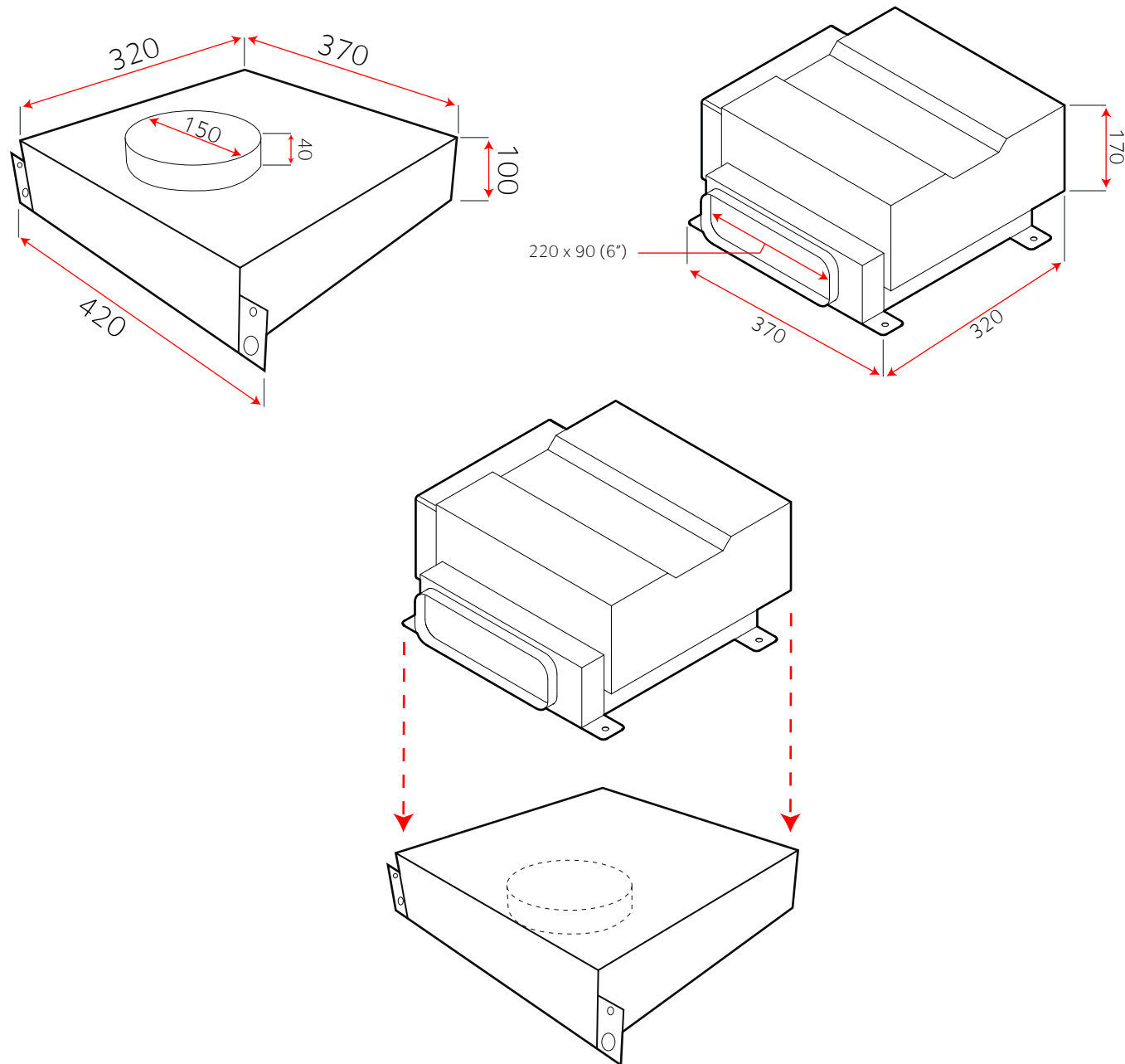
Blanking Plate

Installation of Remote Motor Box:

Installation of the Remote Motor Box is very simple.

- Remove the motor from the hood and disconnect the electrical wire
- Secure the blanking plate in place of the motor. This will fit in exactly the same position as the motor and uses the same screw holes.
- Attach the motor to the remote motor box using the fixings in the box. The screw holes are in exactly the same place as on the hood so the motor will fit in exactly the same way
- Please be aware the motor must be located on top of the remote motor box so that air can be pulled through the bottom of the remote box
- Locate where the Remote Motor Box and Motor will be installed and secure using the key hole fittings and additional screw holes.
- Run ducting from the blanking plate on the hood to the bottom of the remote motor box.
- Run ducting from the motor to your outside vent
- Attach the 5m cable supplied in the box to the hood then to the motor.

Please be aware you will need 320mm minimum height to install the remote motor box and motor.
This includes enough space to attach 150mm round ducting

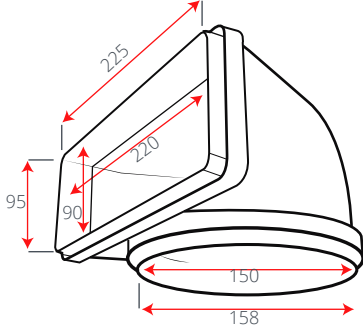




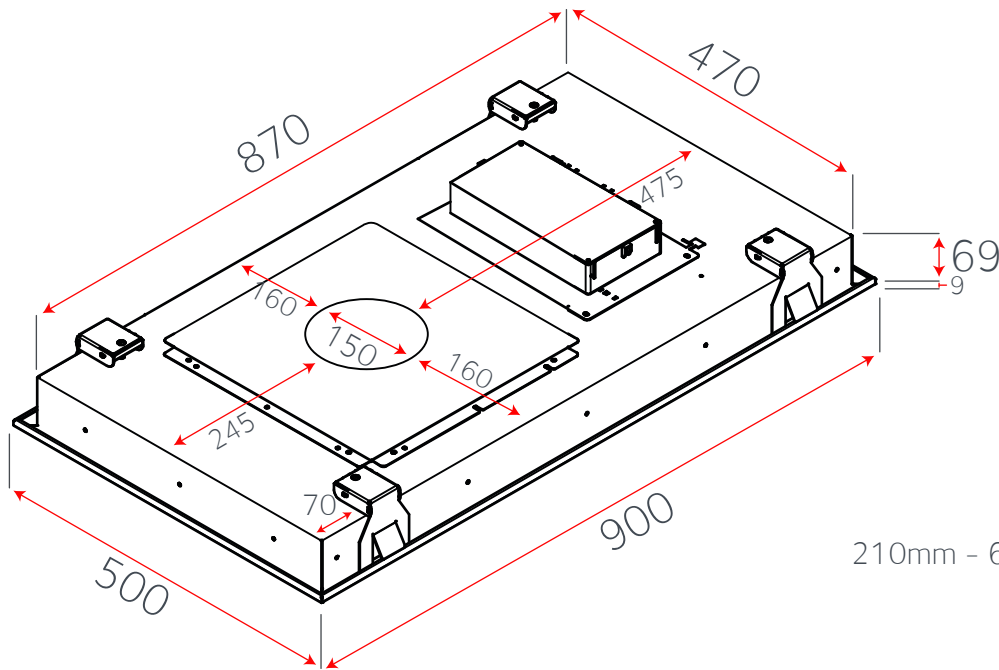
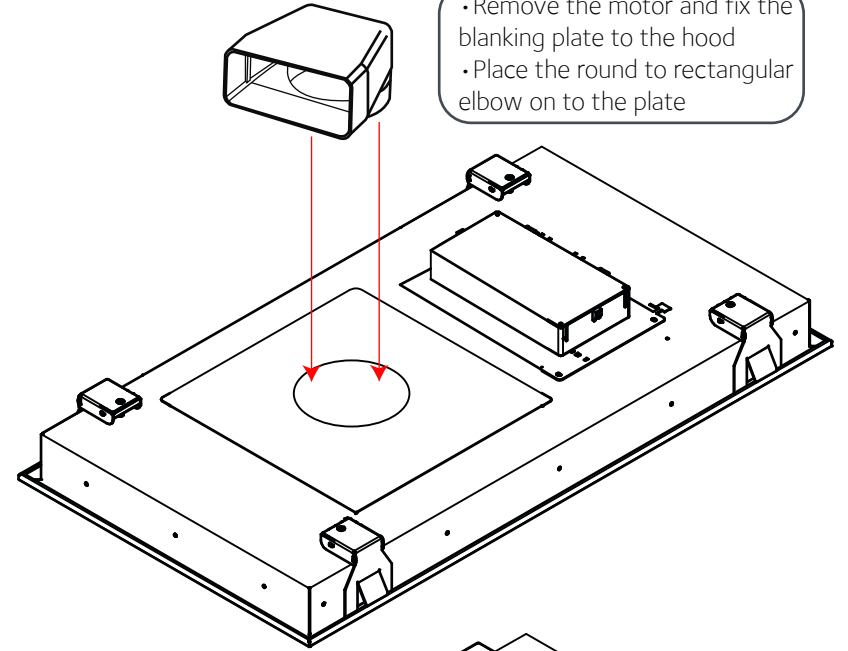
LUXAIR™
EXTRACTION WITH ATTRACTION

Anzi Ceiling Hood

6" - 220 x 90 Ducting



- Remove the motor and fix the blanking plate to the hood
- Place the round to rectangular elbow on to the plate



210mm - 6" 220x90 Ducting

