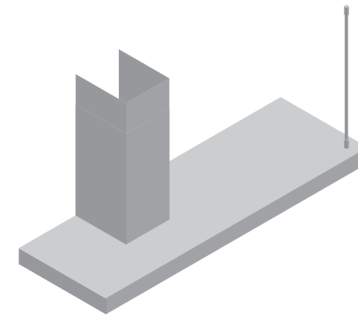
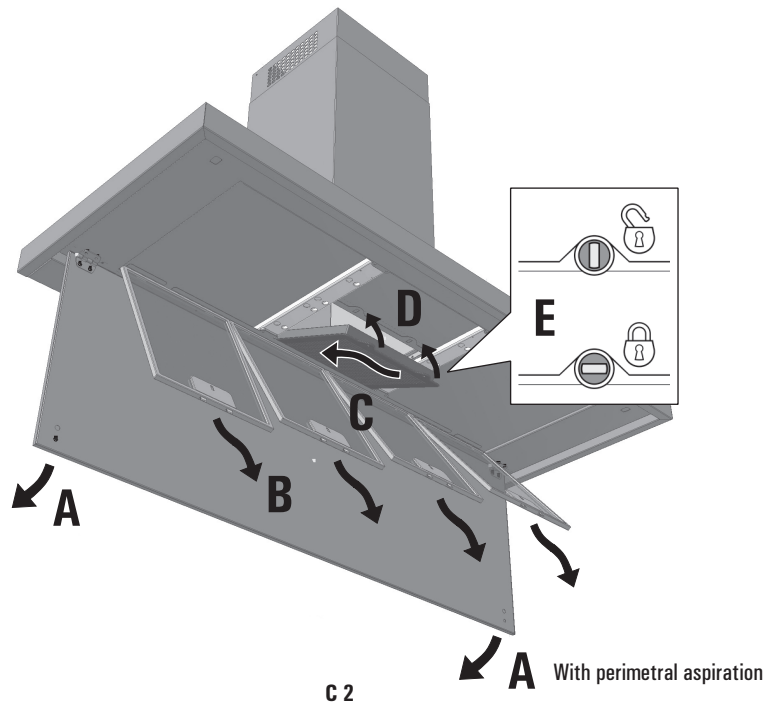


Installation instruction

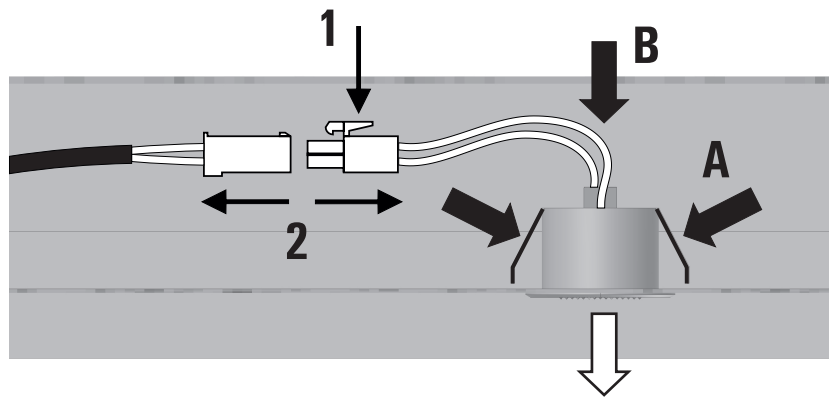


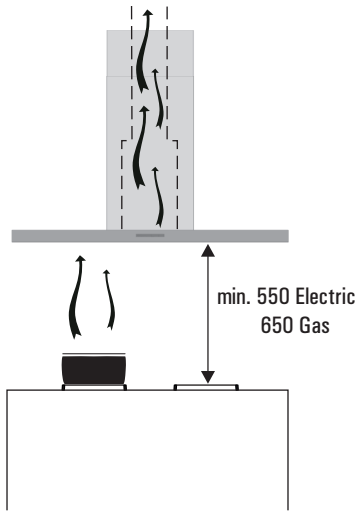
LA AREZZO



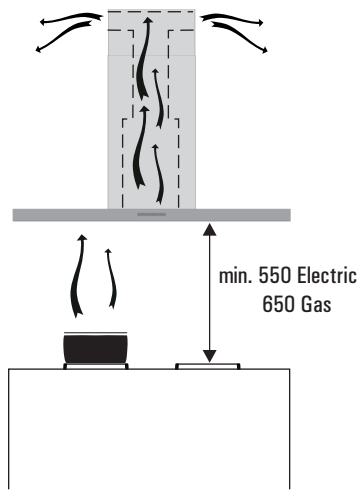


WARNING! The hood is equipped with standard fixing material. The person who is mounting the hood should make sure that the fixing elements are right and suitable for the walls and ceilings he finds. The manufacturer declines any responsibility for damages caused by incorrect mounting.



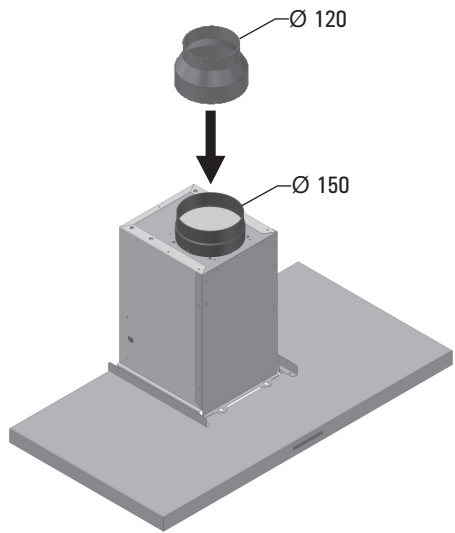
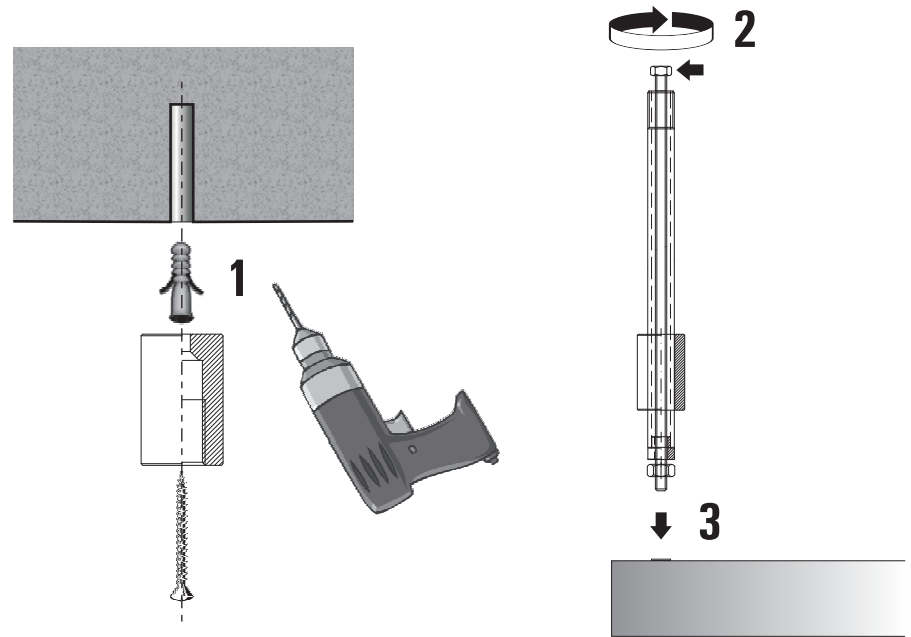


M 1

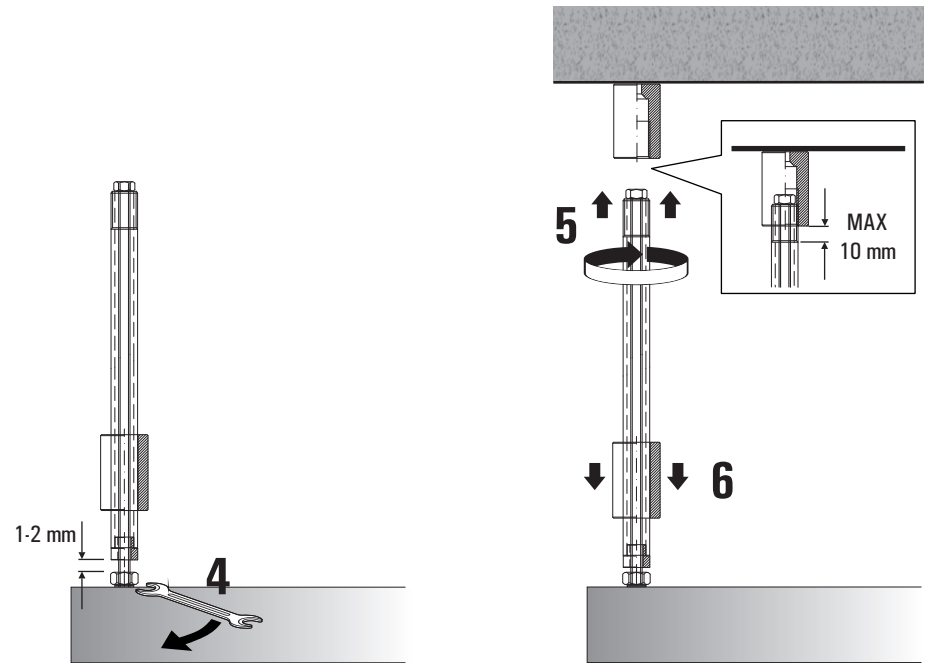
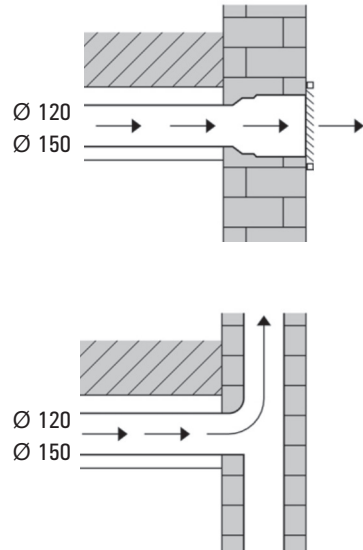


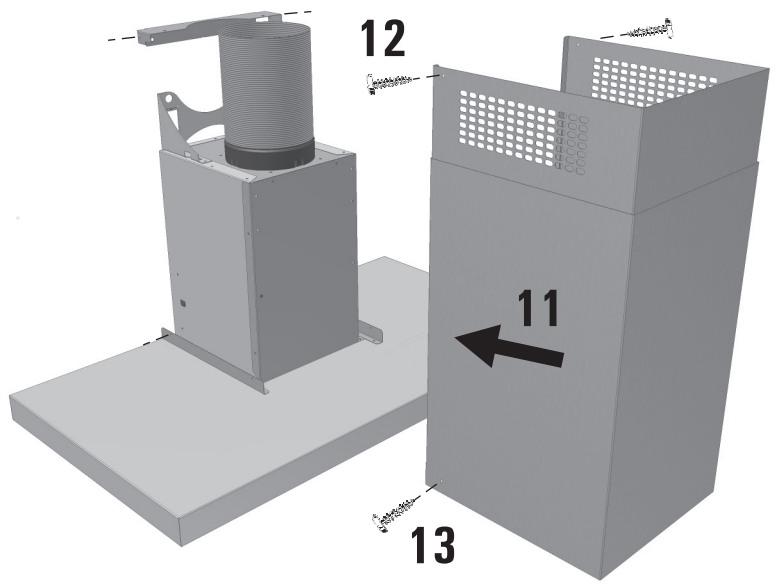
C 1

Bar installation

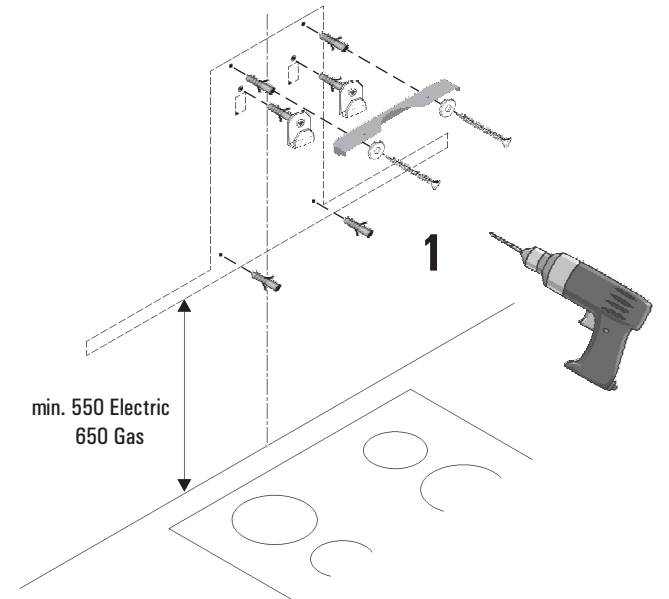


M 2

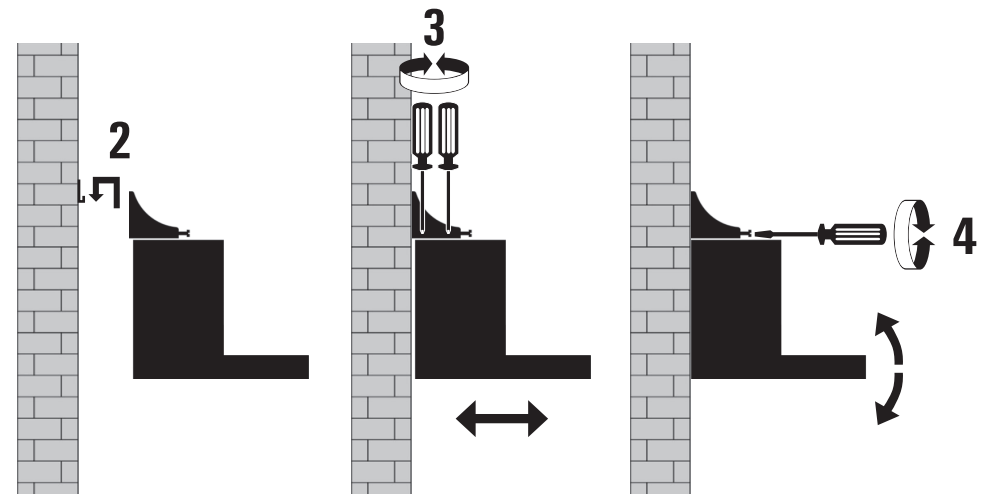




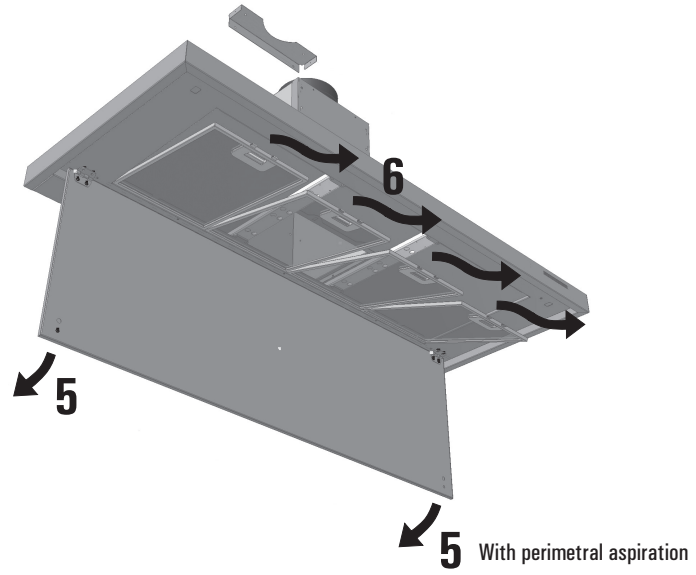
M 9



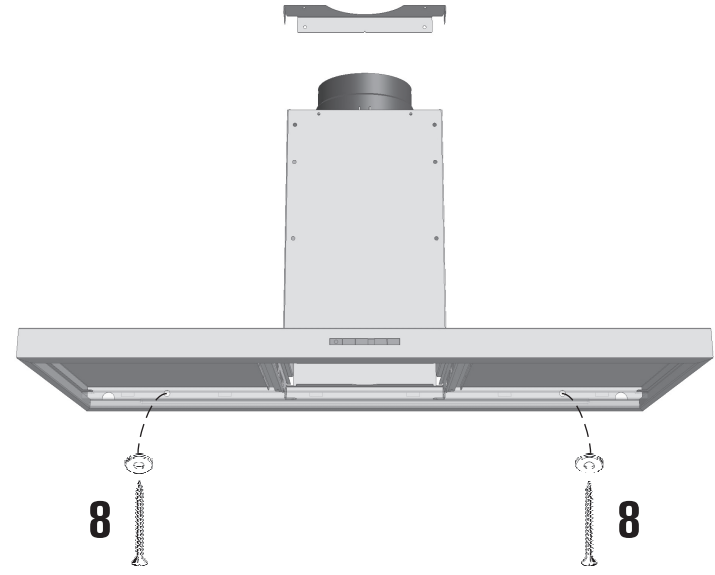
M 3



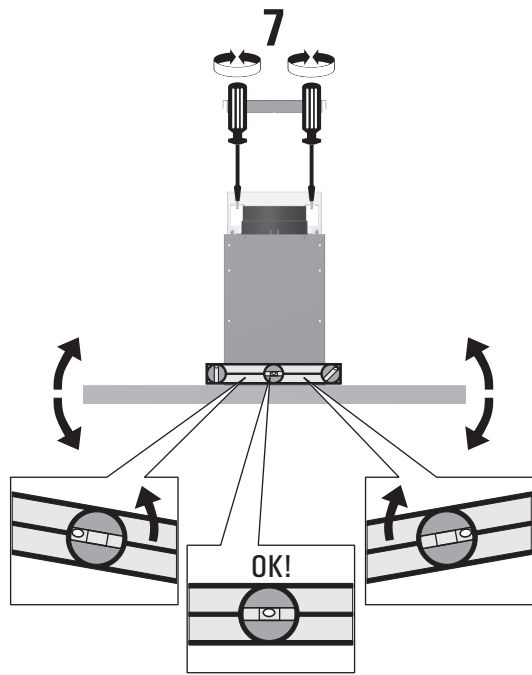
M 4



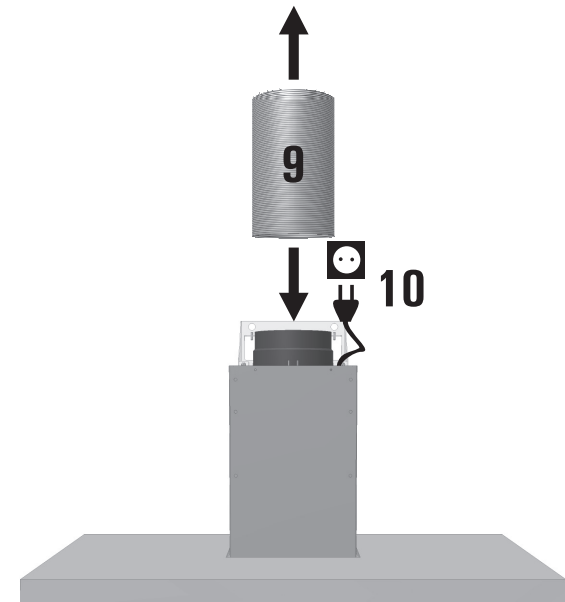
M 5



M 7



M 6



M 8