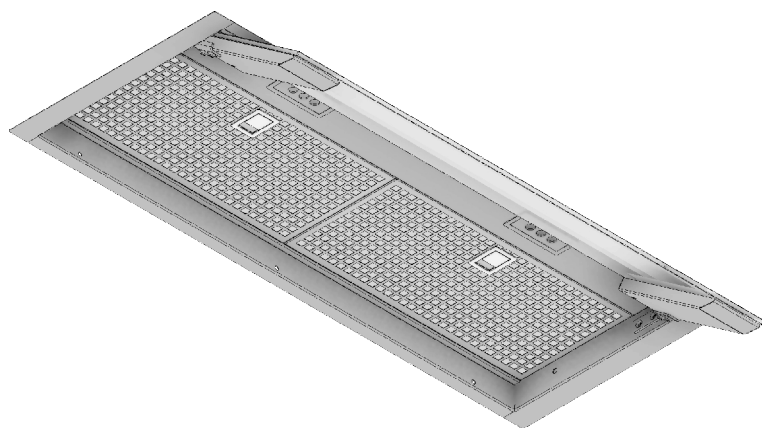


Installation and use instruction



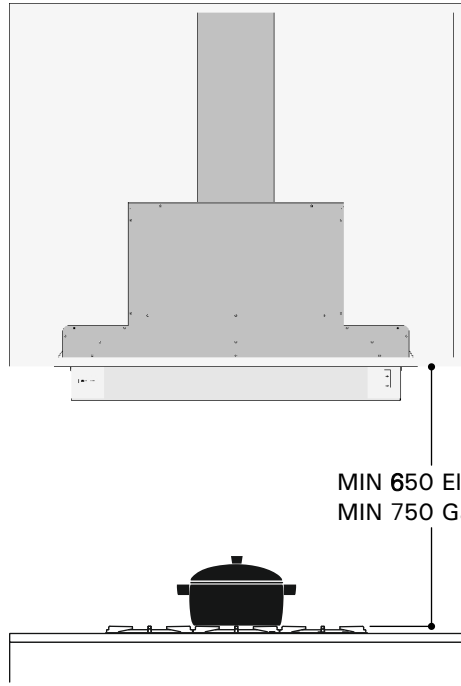
LA-CAN-TORNIA



LUXAIR
EXTRACTION WITH ATTRACTION

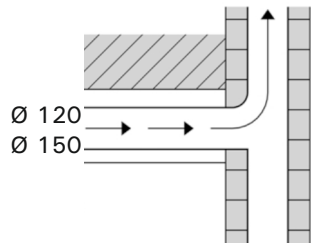
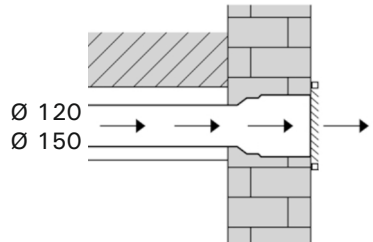
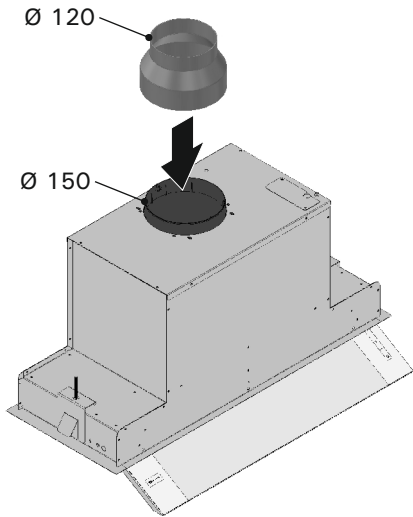


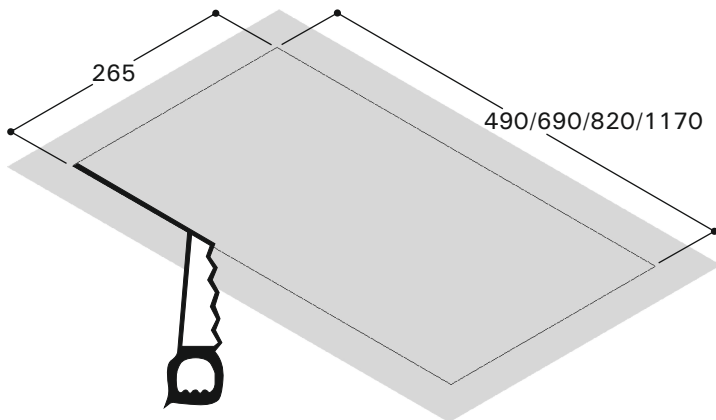
WARNING! The hood is equipped with standard fixing material. The person who is mounting the hood should make sure that the fixing elements are right and suitable for the walls and ceilings he finds. The manufacturer declines any responsibility for damages caused by incorrect mounting.



M1 ▲

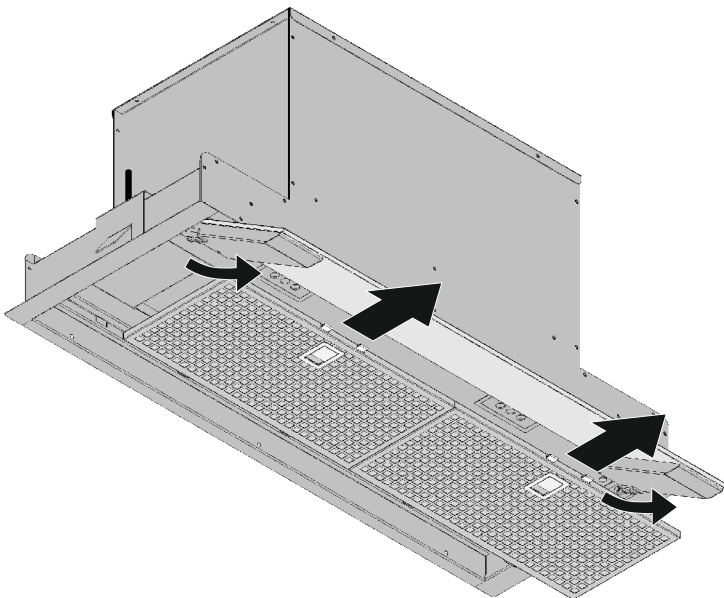
M2 ▼

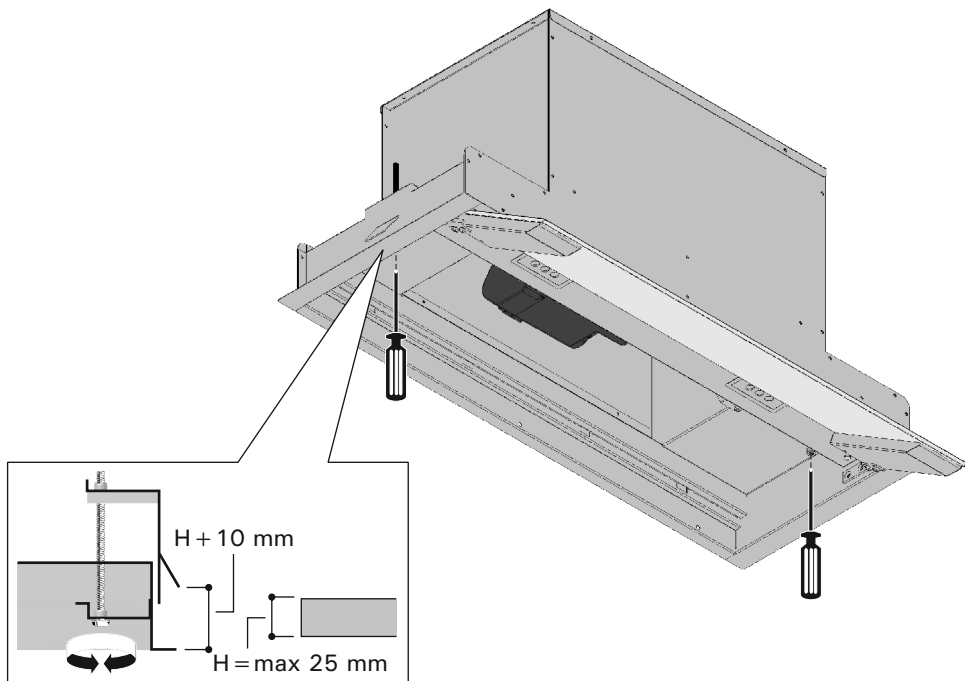




M3 ▲

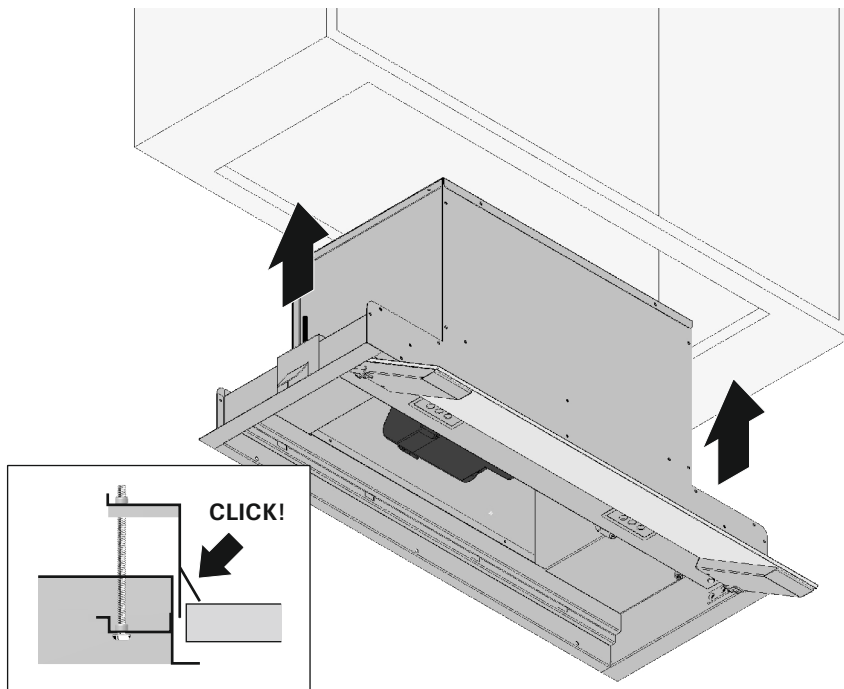
M4 ▼

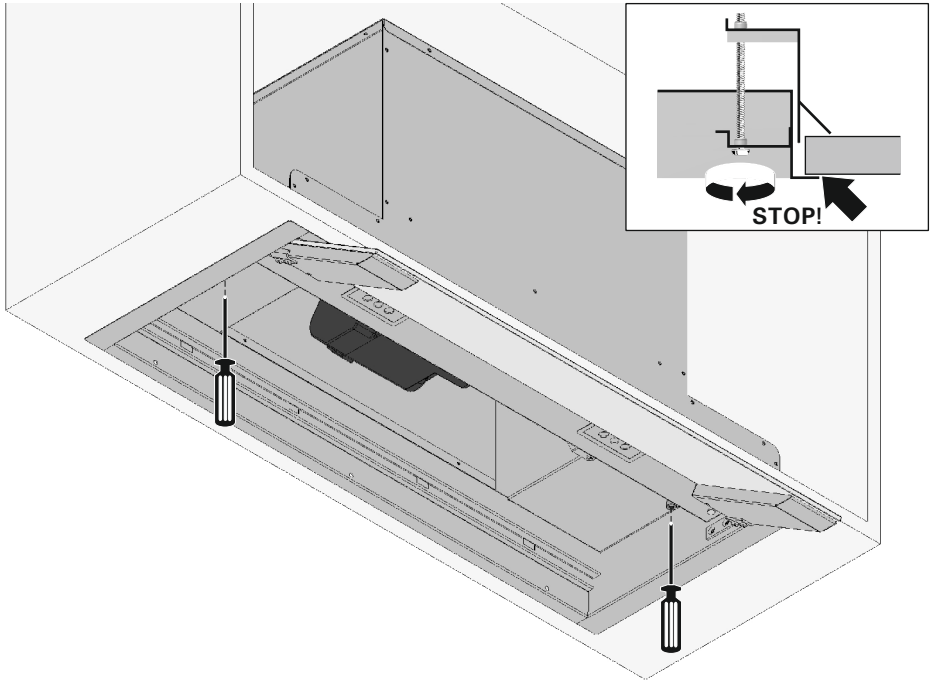




M5 ▲

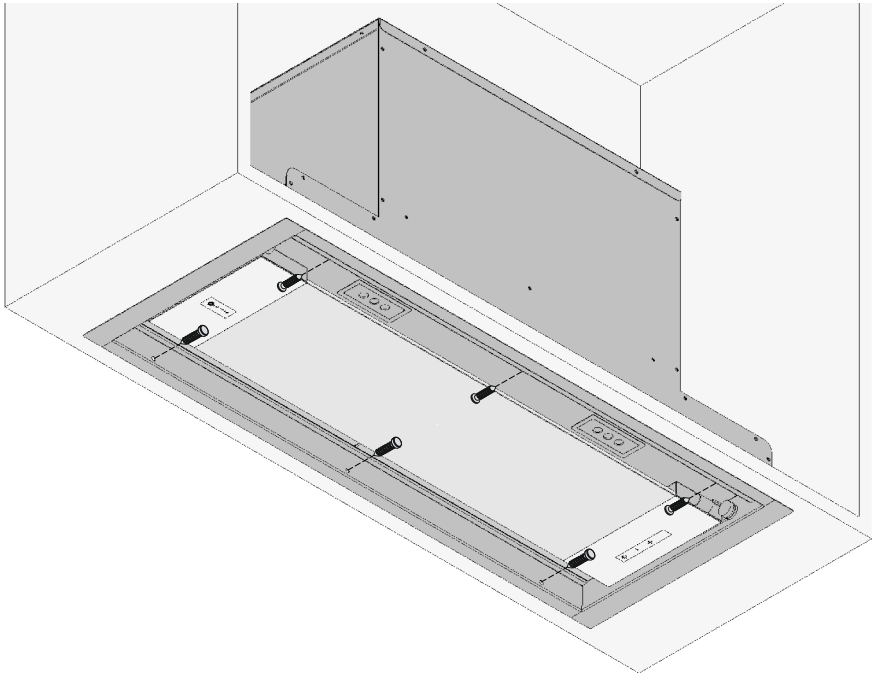
M6 ▼

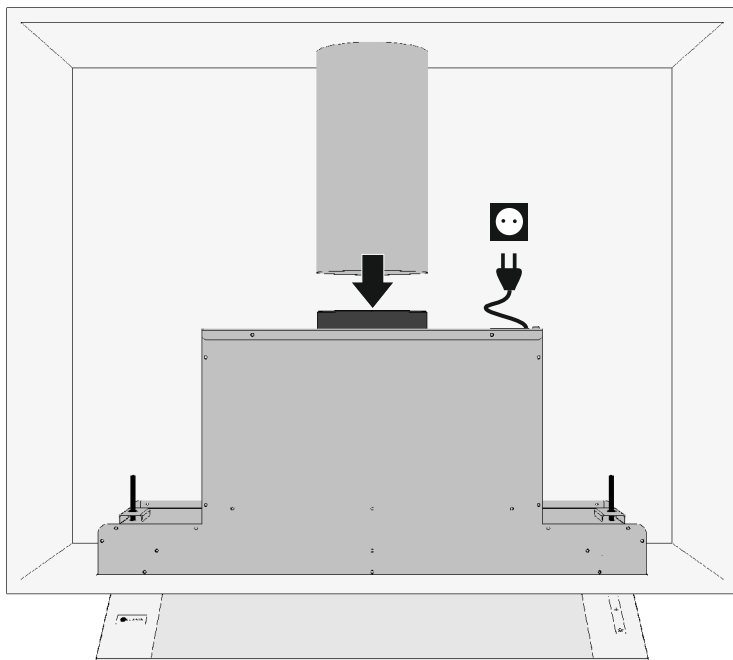




M7 ▲








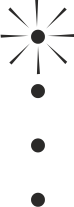
M8 ▼





M9 ▲



FUNCTION AND USE

	 <p>Switch the lights on and off. Hold the button down to change the brightness.</p>
 <p>Reduces the motor speed. If pressed for more than 2 seconds when motor is off see section INTERVAL FUNCTION.</p>	 <p>Increases the motor speed. If pressed for more than 2 seconds with motor in speed 1, 2, 3 leds are starting to flash and the motor stops after 10 minutes. If pressed for more than 2 seconds with motor off please see section SETTING NORMAL VENTILATION/RECIRCULATION MODE.</p>
 <p>1st Speed</p>	 <p>2nd Speed</p>
 <p>3rd Speed</p>	 <p>Highest speed of the motor. After 4 minutes the second speed is automatically set.</p>

INTERVAL FUNCTION

The motor is switched on automatically 5 minutes each hour at the speed flashing in the display.

How to activate:


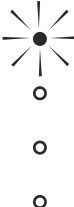
- press the push button  for more than 4 seconds, the led 1 is switched on;
- press the push button , the leds will show the following sequence for the speeds of the motor 2→3→1→2 ...;

- Press the push button — to confirm the speed in which the interval function will be activated.

Deactivate: you can deactivate pressing any push button but not the light push button.

AUTOMATIC CONTROL OF GREASE AND CARBON FILTER

The electronic controls with led points allow automatic control of the grease filters and carbon filters (only in case the hood is used in filtering version) so that the user does not have to remember when maintenance was last carried out.

 <p>When the grease filters require cleaning, an acoustic signal is issued and the led point 1 keeps on on flashing.</p>	 <p>When the carbon filters need replacing, an acoustic signal is issued and the led point 4 keeps on flashing.</p>
----------------------------------------------------------------------------------------------------------------------------------------------------------------------------------------------------------	------------------------------------------------------------------------------------------------------------------------------------------------------------------------------------------------------

TO RESET THE GREASE AND CARBON FILTER TIMER FUNCTION

To put the grease filter or carbon filter counter back to zero you must:

- stop the motor;
- press the + push button, until you hear the acoustic signal.



To confirm reset the led point stops flashing.


CHANGING OVER FROM NORMAL VENTILATION TO RECIRCULATION MODE

The hood is delivered standard for normal ventilation.

If you wish to use the hood in recirculation mode do as follows when motor is off:

- Press the push button + for more than 4 seconds.

 <p>If the hood is set for recirculation use the 4th led is switched on for 5 seconds.</p>	 <p>If the hood is set for normal ventilation the first led is switched on for 5 seconds.</p>
------------------------------------------------------------------------------------------------------------------------------------------------------------------------------	---------------------------------------------------------------------------------------------------------------------------------------------------------------------------------

 During the normal ventilation/recirculation setting phase no function can be activated.