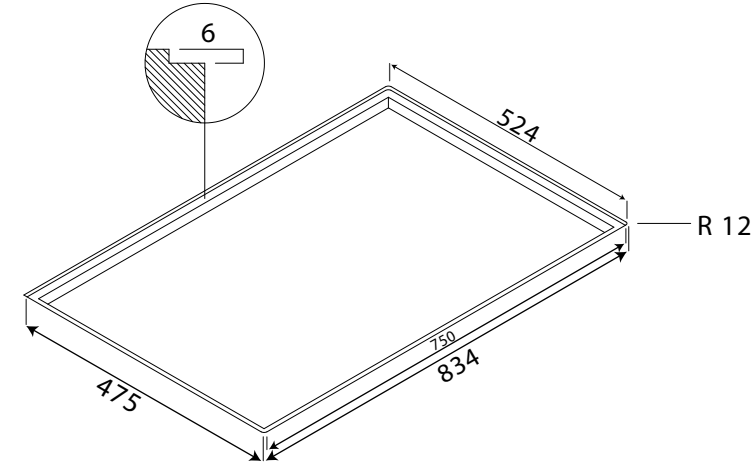
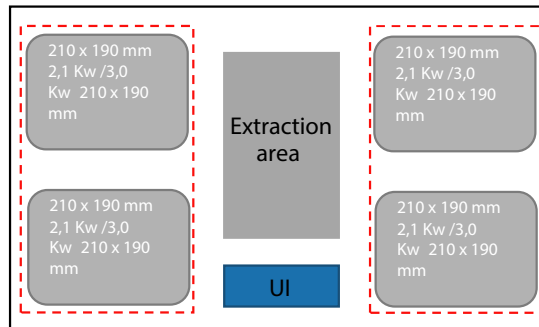
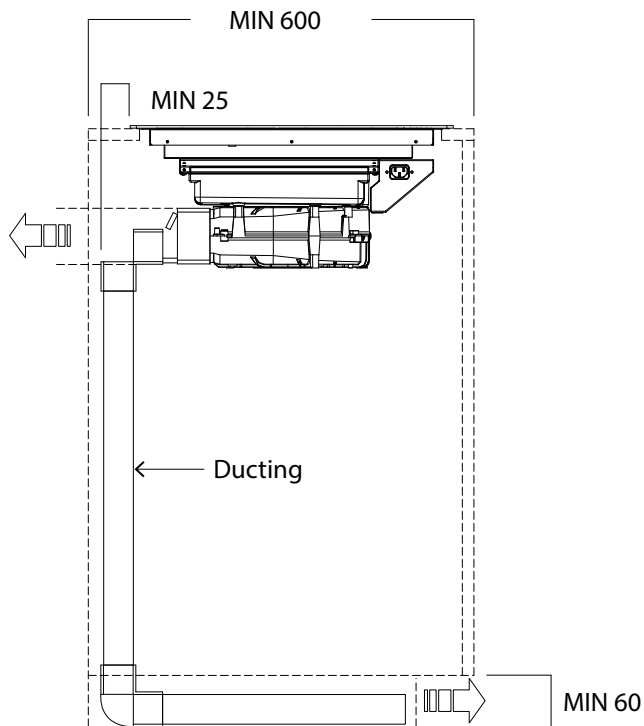


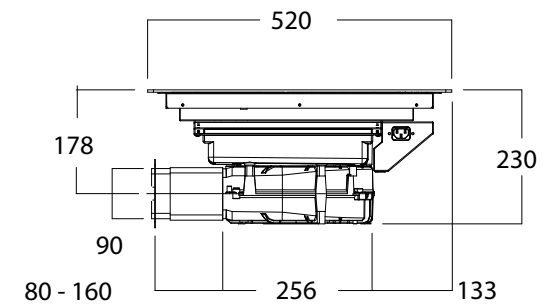
Standard Mounting



Flush Mounting



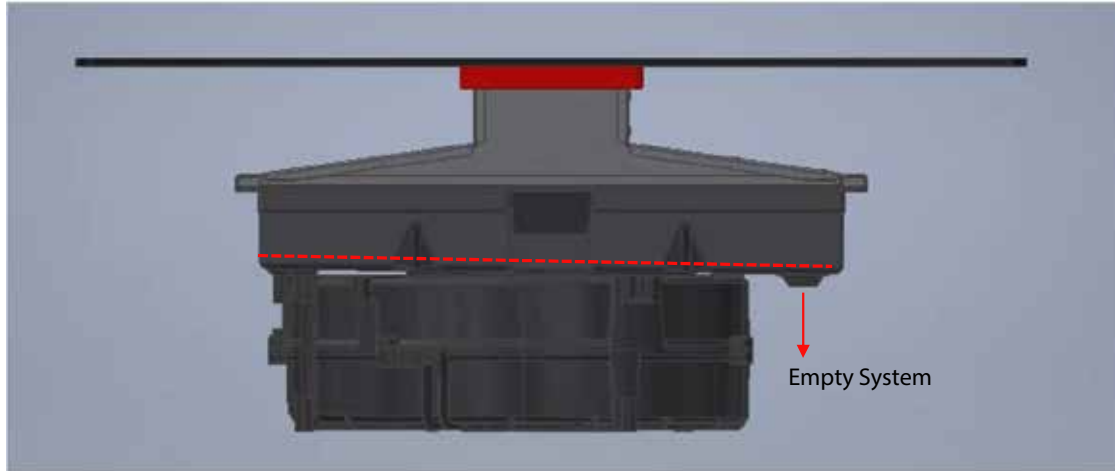
BRIDGE 1.5Kw / 1.85Kw Boost



800m<sup>3</sup>/hr Brushless Motor

	Speed 1	Speed 9	Boost
<b>Extraction Rate</b>	220m <sup>3</sup> /hr	450m <sup>3</sup> /hr	620m <sup>3</sup> /hr
<b>Noise Levels DB/A</b>	44 DB	63DB	69DB

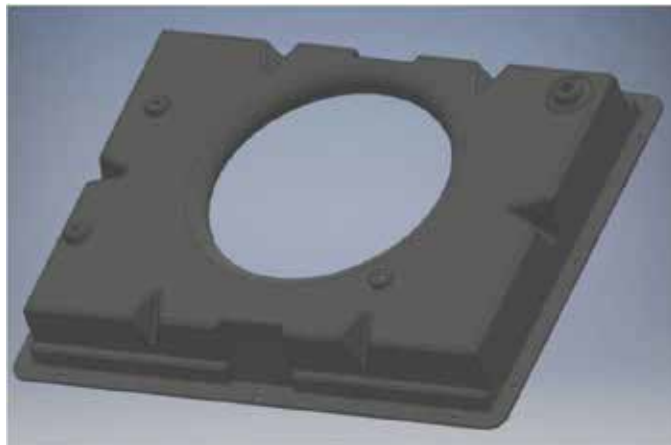
# Extraction Area



The new shape ensures that the dropped water will always be directed to the emptying system.



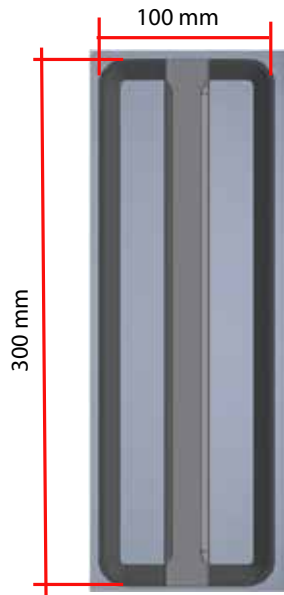
INTERNAL PART OF THE PLASTIC CASE – EASY TO CLEAN



Bottom part

# Grease Filters

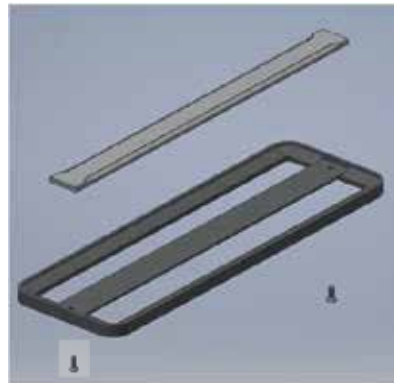
## EXTRACTOR – GRID



Using the same grid for both dimensions  
(80 and 60 cm)

Customizable part.  
It can be glued and screwed  
to the grid.  
It's possible to have in:

- Aluminium,
- Painted aluminium,
- Glass
- Wooden
- Stainless steel or painted.



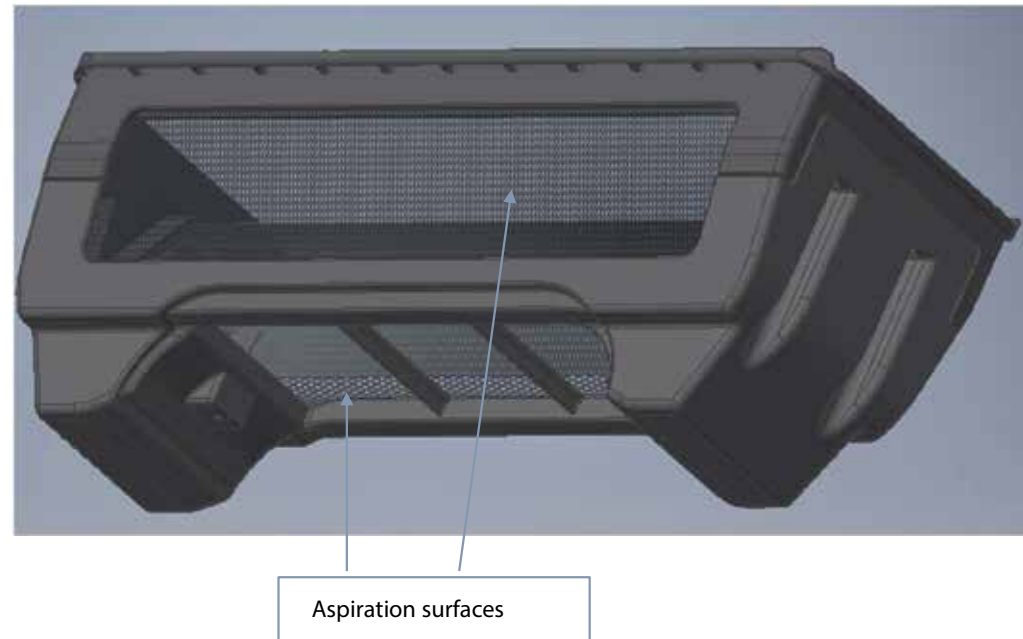
sliding parts for fixing grid directly on the  
grease filter



For easy maintenance, it's possible to remove grid and filter together

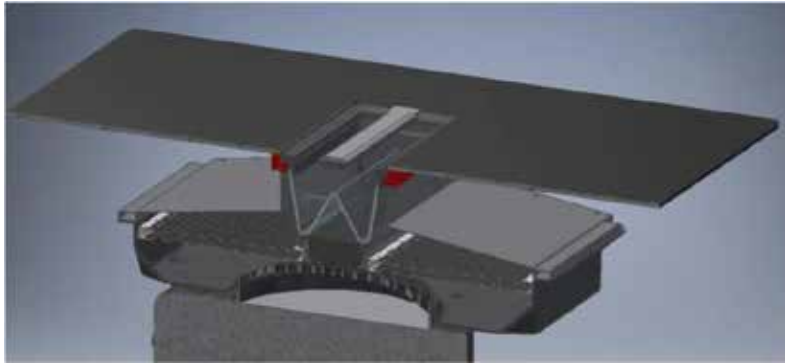
# Grease Filters

## *HOB EXTRACTOR – GREASE FILTER*



# Charcoal Filters

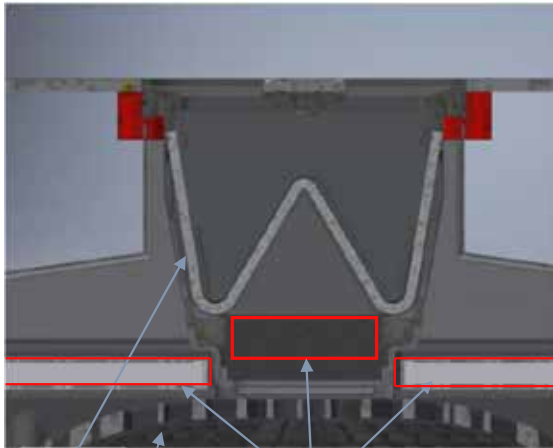
## HOB EXTRACTOR – RECIRCULATION VERSION OPTION 1



NEW OPTION : a regenerable filter – LONG LIFE – can be installed from the suction area. Remove the grid and grease filter and you can install it. All maintenance operations are much simpler.



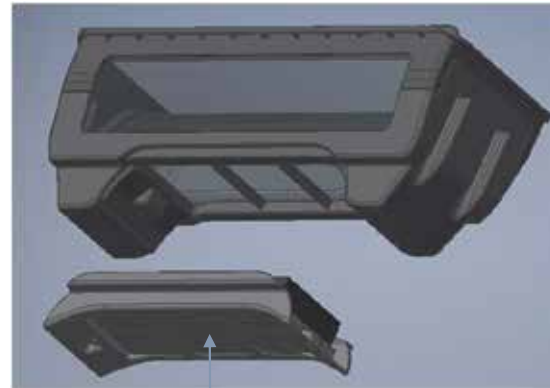
Long Life STARTER KIT



Grease filter

Blower

Long Life filter



Plastic + long life to add and cover the bottom part of the filter

Only 2 steps to access the filters

Instruction:

- Remove the grid and the filter together,
- Remove the long life filter,
- Follow the procedure to regenerate the filter (dishwasher and oven).

# Installation

## HOB EXTRACTOR – INSTALLATION

