

Charcoal Filters

N/A

Warranty

7 Years (Parts & Labour)

Lighting

1x LED Panel 34w 4000° Kelvin

Fuse Type

3 amp

EEl Rating

A

Motor

1200m³/hr

Duct Size (6m Max Length)

150mm Minimum Round or Rectangular Equivalent

Remote Control

Yes

Metal Grease Filters

LA-120x50-Tolvi x2 400x300

Switch Type

N/A

You must measure your mesh grill size. Older models will have different sizes to current models

Box Dimensions (CM) & Weight

LA-120x50-TOLVI 144x58x55 22Kg
External Motor 20Kg

**Extraction Rate
(Unrestricted)**

Speed 1
371m³/hr

Speed 2
588m³/hr

Speed 3
641m³/hr

Speed 4
1033m³/hr

Noise Levels DB/A

49 DB

56 DB

65DB

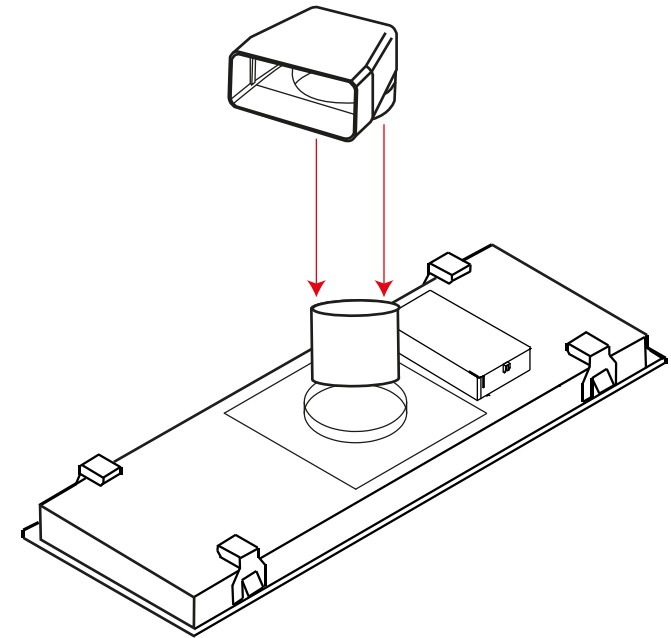
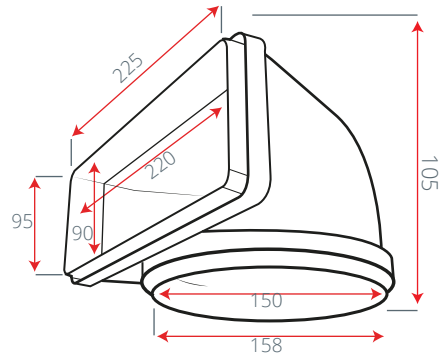
74DB



LUXAIRTM
EXTRACTION WITH ATTRACTION

LA-120x50-Tolvi External Motor

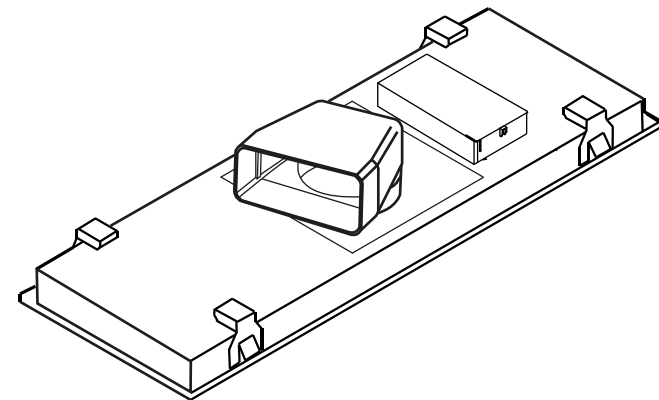
6" - 220 x 90 Ducting

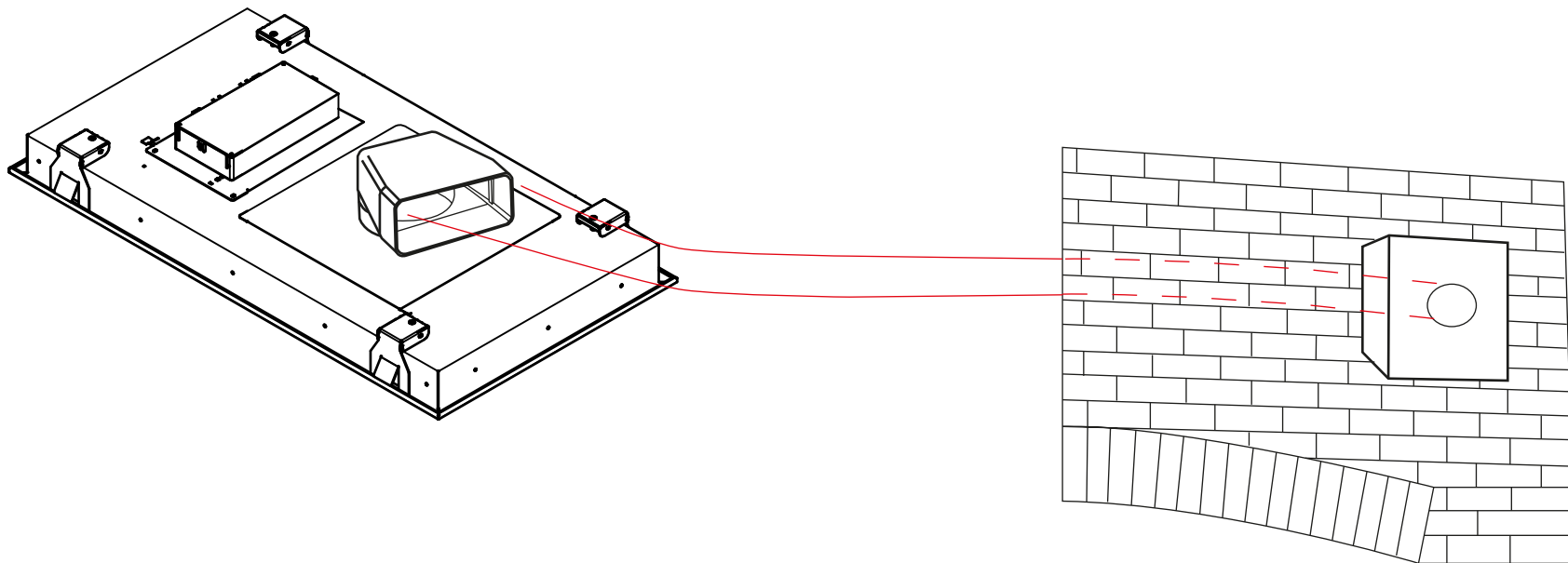


Ducting - Our external motor is designed with a round ducting system vent. Adapters will not fit directly on to the motor exhaust.

Our rectangular ducting is 220mm x 90mm

Please remember this hood must be installed on a minimum 6" ducting. If you are using rectangular ducting, this must be a minimum of 220mm x 90mm





Wall Mounted External Motor

Pitched Roof External Motor

Flat Roof External Motor

