

Charcoal Filters

N/A

Lighting

4x LED Spot 1.2w 4000° Kelvin

EEl Rating

A

Duct Size (6m Max Length)

150mm Minimum Round or Rectangular Equivalent

Metal Grease Filters

LA-120x30-Anzi x3 290x145

Warranty

7 Years (Parts & Labour)

Fuse Type

3 amp

Motor

1200m³/hr

Remote Control

Yes

Switch Type

N/A

You must measure your mesh grill size. Older models will have different sizes to current models

Box Dimensions (CM) & Weight

LA-120x30-ANZI-EXT	131x39x24	10Kg
Weight Including Box	15Kg	

**Extraction Rate
(Unrestricted)**

Speed 1
371m³/hr

Speed 2
588m³/hr

Speed 3
641m³/hr

Speed 4
1033m³/hr

Noise Levels DB/A

49 DB

56 DB

65DB

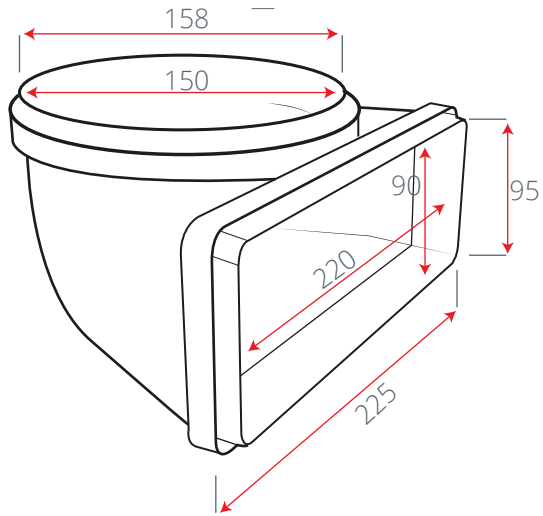
74DB



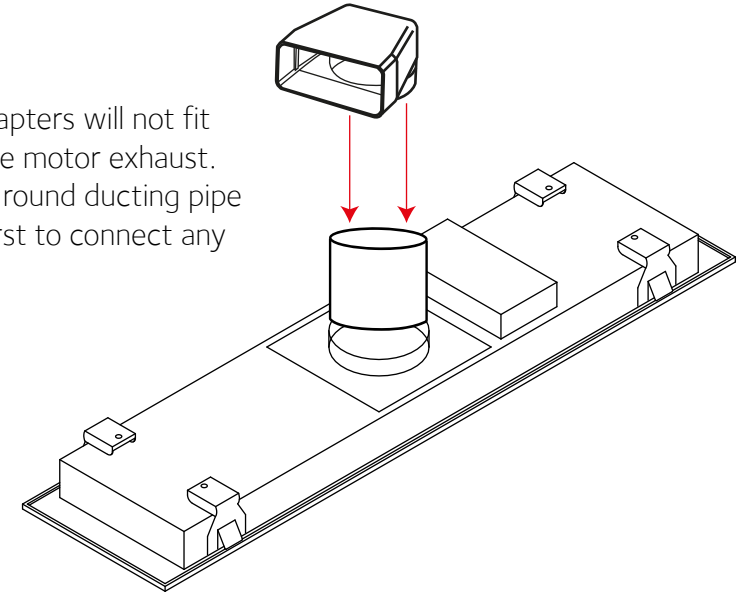
LUXAIR™
EXTRACTION WITH ATTRACTION

LA-120x30-ANZI External Motor

6" - 220 x 90 Ducting



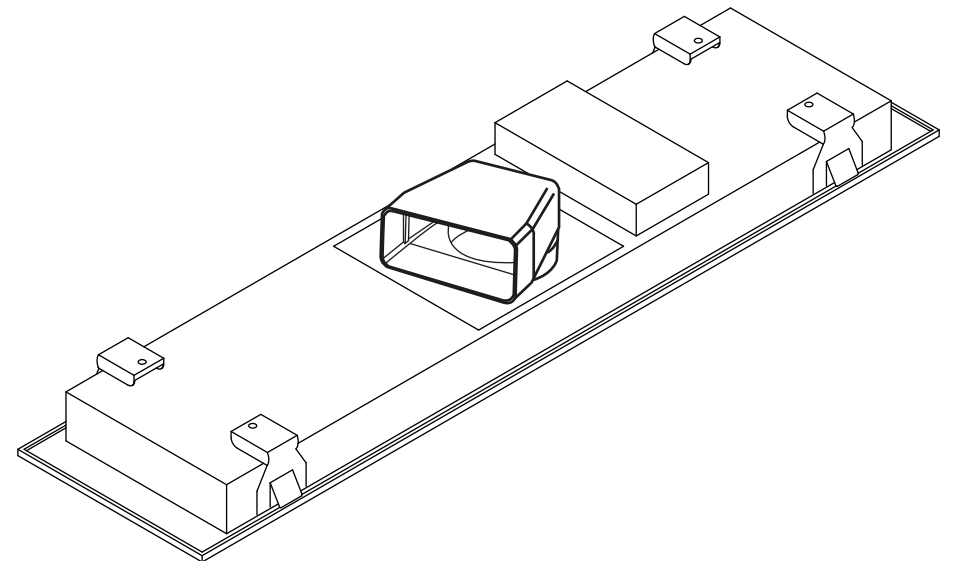
Please note adapters will not fit directly on to the motor exhaust. A small piece of round ducting pipe must be used first to connect any adapters

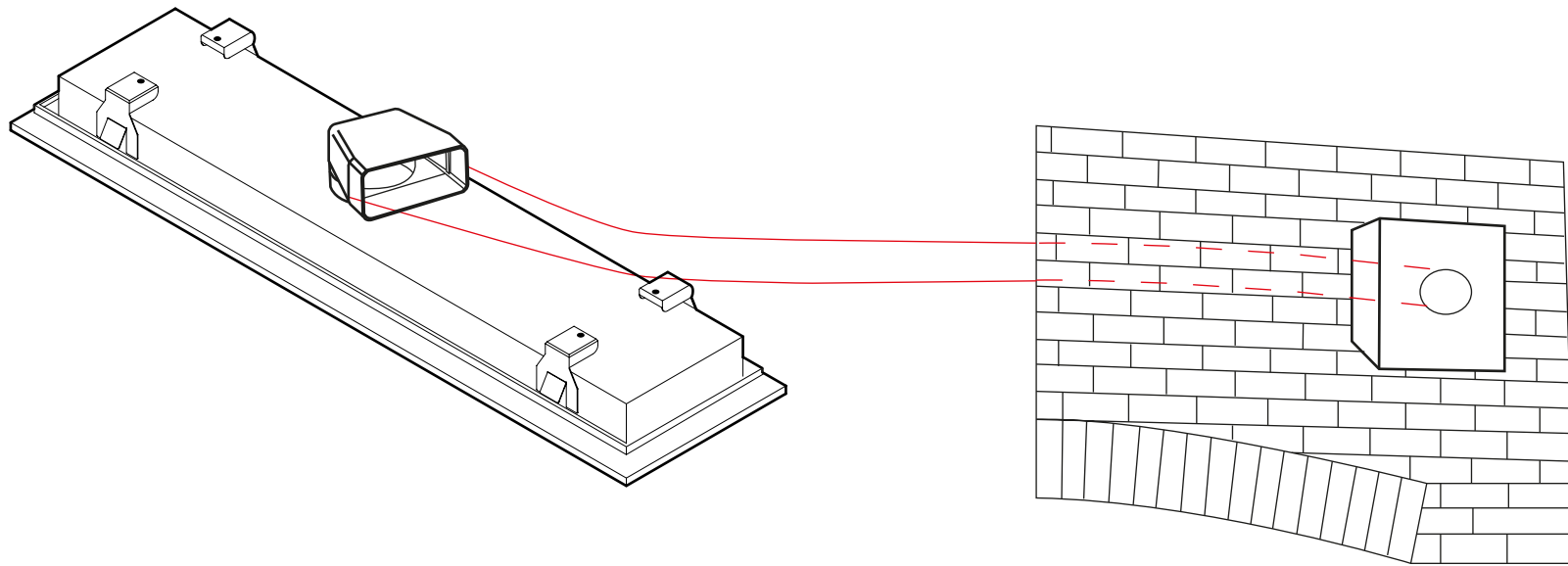


Ducting - Our external motor is designed with a round ducting system vent. Adapters will not fit directly on to the motor exhaust.

Our rectangular ducting is 220mm x 90mm

Please remember this hood must be installed on a minimum 6" ducting. If you are using rectangular ducting, this must be a minimum of 220mm x 90mm





Wall Mounted External Motor

Pitched Roof External Motor

Flat Roof External Motor

